

# RW-S/L SERIES

## Vehicle Weighing Scale

- Designed for mobile weight inspection
- Heavy duty cast aluminum construction
- 1 inch LCD illuminated backlight display
- Used for cars, trucks, and custom applications
- Battery operated with AC adapter/charger
- Single and double width available
- Scales are linkable for multi-axle weighing (up to 6 scales)



**CAS**

# RW-S/L SERIES | Vehicle Weighing Scale

## SPECIFICATIONS

Model	RW-05S	RW-10S	RW-05L	RW-10L
Max. Capacity (kg)	5,000	10,000	5,000	10,000
Readability (kg)	2	5	2	5
Display	5 Digit LCD Display (Height 1 inch/25mm)			
Accuracy	1%			
Safe Overload	150%			
Operating Time	20 hours(charging time 8 hours)			
Operating Temp.	-10°C ~ +40°C			
Power Source	1.5V AA Size 12EA DC7.2V 2.6Ah Battery (AC 110V/220V Charger)			
Weigh Pad Dimensions	309(W) x 340(D)		624.8(W) x 340(D)	
Dimensions (mm)	536(W) x 458(D) x 60(H)		566(W) x 718(D) x 60(H)	
Product Weight (kg)	22		36	

## FEATURES

- Multi-Axle Weighing (Up to 6 Scales)
- 1 inch LCD Display with Backlight
- kg/lb Switchable
- Displays Individual or Total Weight
- Advanced Digital Filtering to Compensate for Vibration

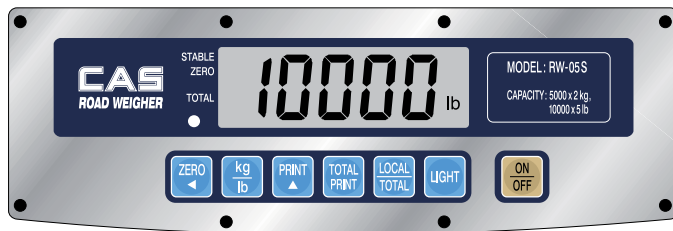
## OPTIONS

- Totalizer Cable
- Printer

## APPLICATIONS

- Safeguards against Overloaded Vehicles
- Mobile Weight Inspections

## DISPLAY & KEY PAD



# CAS

CAS BLDG., # 440-1, SUNGNAE-DONG,  
GANGDONG-GU, SEOUL, KOREA

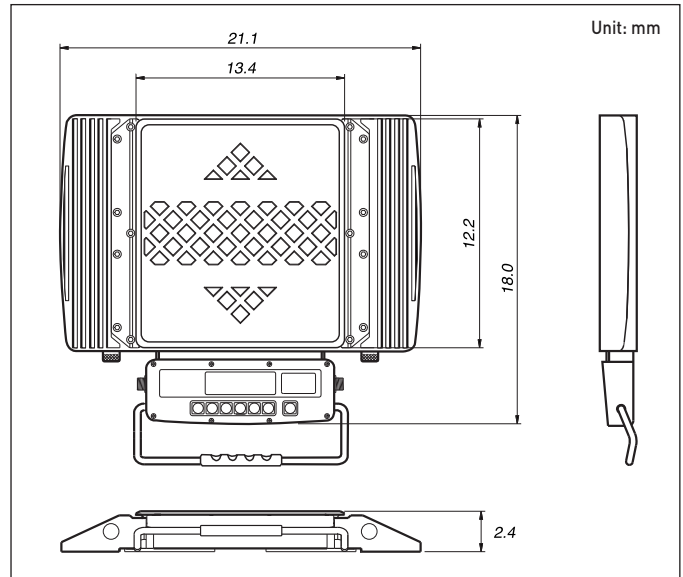
TEL\_82 2 2225 3500

FAX\_82 2 475 4668

<http://www.globalcas.com>

Specifications are subject to change for improvement without prior notice.

## DIMENSIONS RW-S



## DIMENSIONS RW-L

